

Animal Windsocks

Classroom exercise



This is a creative and fun project to help children and young people demonstrate how to treat animals. Below are directions on how to create individual windsocks. That can be hung and displayed for everyone to see.

Materials:

White nylon fabric
Acrylic paints
Water
Paintbrushes

Clean tin cans
Black permanent markers
Tape
Drawing paper

Tarpaulin
Colourful ribbon
Sewing machine
bamboo pole

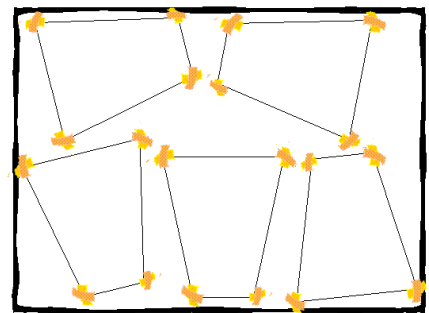
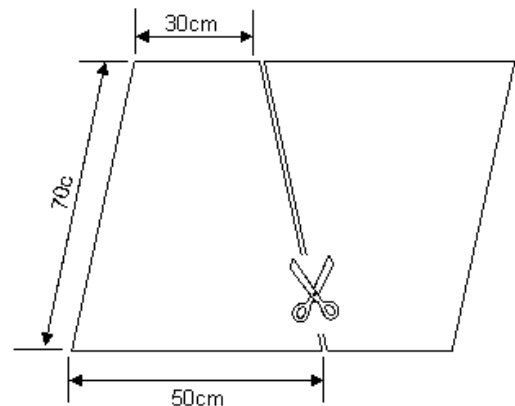
Preparation

1. Prepare the blank windsocks by cutting them to size (30cm x 50cm x 70cm.) For large groups, increase the size of each windsock and have groups work together on one windsock (60cm x 100cm x 140cm.)

2. Tape the corner of the fabric pieces to the tarpaulin.

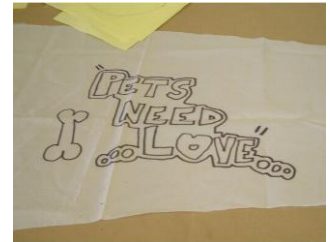
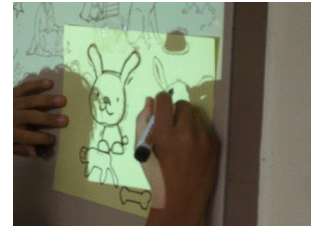
3. Mix one part acrylic paint with 2 parts water using the paint brushes. Use only bright colours like red, blue, yellow, orange, purple and green. Pour the mixed paints in the clean tin cans. Old ice cream containers work great to keep the paints from spilling.

4. Set aside until ready to start drawing and painting.



Activity

1. Come up with an animal related theme for the windsock.
Using the permanent marker, write the theme on the drawing paper in large block letters.
2. Draw a picture that relates to the theme on the same drawing paper. Try tracing other pictures if needed.
3. Tape the drawing paper underneath the windsock fabric and trace the theme and the drawing onto the windsock with the permanent marker. Make sure there is at least 2cm of empty space around the edge of the windsock as this bit will be sewn later.
4. Once the windsock has been completely decorated with the theme and drawing remove the drawing from under the fabric and begin painting with the acrylic mix paint. Paint the entire windsock including the theme, the picture(s) and the blank spaces.
5. Allow the paint to completely dry.



Finishing up

1. Using a sewing machine, hem the bottom edges of the windsock.
2. Hem 3 or 4 ribbons into the top edge of the windsock
3. Fold the windsock inside out and sew the longest outside edge together.
4. Tie the windsocks to a bamboo pole or hang on a wall.

